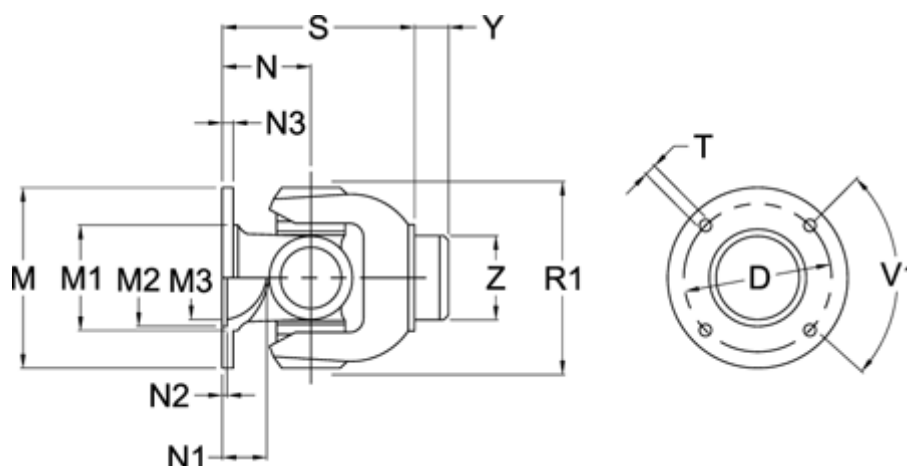


Article number: 07120050001

Description: Universal joint single 0.120.050.001
S=201 X= Bore with keyway

Measures



D	= 155,5 \pm 0,1	N2	= 3,6 \pm 0,5	Z = 98.25
Flange diameter M	= 180	N3	= 14	
M1	= 118	Number of Flangeholes	= 10	
M2	= 110	R1	= 178	
M3	= 104	S min	= 201	
Max. Bending Angle degrees	= 30	T	= 16 B12	
N	= 96	V1 degrees	= 36	
N1	= 32	Y	= 30	